

Příloha č. 1 – Technická specifikace předmětu plnění

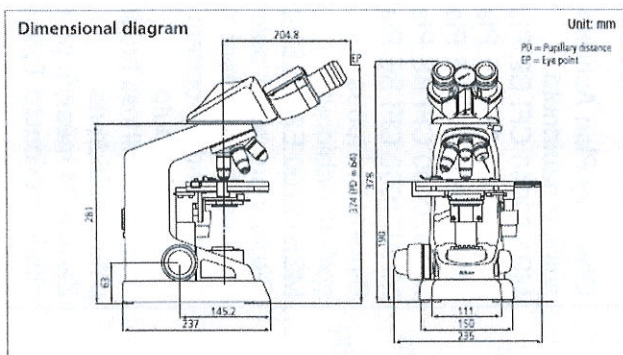
položka	počet ks	max. cena včetně DPH	specifikace
<p>Laboratorní (studentský) mikroskop</p> <p>NIKON E 100 LED MV R MCA72206 set Eclipse E100 LED</p>	<p>20</p>	<p>840 000</p> <p>spĺňuje nabídnuto</p> <p>800 027,80 Kč</p>	<p>LED osvětlení - splňuje nabídnuto 3W LED osvětlení Revolverová hlavice otočená dozadu pro min. 4 objektivy- splňuje nabídnuto MCA72200 ECLIPSE E100 LED MV R tělo mikroskopu 3W LED , životnost LED 60 000 hodin,jemné a hrubé ostření nastavitelná tuhost hrubého ostření revolverová hlavice obrácená vzad pro 4 ks objektivů</p> <p>Objektivy Plan Achromát 4x, 10x, 20x, 40x, 100x splňuje nabídnuto MRN70040 CFI BE Plan Achromat 4X, N.A. 0.10, W.D. 25mm (FOV18) MRN70100 CFI BE Plan Achromat 10X, N.A. 0.25, W.D. 6.7mm (FOV18) MRN70200 CFI BE Plan Achromat 20X, N.A. 0.40, W.D. 3.7mm (FOV18) MRN70400 CFI BE Plan Achromat 40X, N.A. 0.65, W.D. 0.6mm (FOV18) MRN71900 CFI BE Plan Achromat 100X oil, N.A. 1.25, W.D. 0.14mm Binokulární tubus splňuje nabídnuto MCB72100 E2-TB Binokulární tubus Okuláry pro zorné pole min. 18 mm - plňuje nabídnuto CFI Okuláry zvětšení 10x / 18 mm zorné pole (Field No. 18) s dioptrickou korekcí Jemné a hrubé ostření plňuje nabídnuto Nastavení tuhosti hrubého ostření plňuje nabídnuto Záruka 24 měsíců; po dobu záruky servis 1x ročně zdarma plňuje nabídnuto Tyto parametry splňuje nabídka číslo: 2017911739</p>

Specifications

Main body	
Optical system	CFI Infinity Optical System, Simplified Kohler's illumination System
Illumination	LED model: High luminescent white LED illuminator (Eco-illumination), Approx. 60,000 hours lifetime, Compliant multi-voltage (100 V-240 V) Halogen model: 6V20W halogen lamp, Compliant multi-voltage (100 V-240 V)
Eyepieces (F.O.V.) (anti-mold ^{*1})	With diopter adjustment • E1-CF1 10X (18 mm) • CF1 E 15X (12 mm)
Focusing	Coaxial coarse/fine focusing, Cross roller guide, Focusing stroke: 22 mm, Coarse: 37.7 mm/rotation, Fine: 0.2 mm/rotation, Coarse motion torque adjustable
Tubes (anti-mold ^{*1})	Interpupillary distance adjustment: 47 mm to 75 mm, Inclination angle: 30°, 360° rotatable • E2-T8 Binocular Tube • E2-TF Trinocular Tube, Eyepiece/Port: 100/0, 0/100
Nosepieces	Quadruple nosepiece (within main body), Revolving mechanism with multiple ball bearings, Elastic nosepiece grip-ring
Stages	Rectangular mechanical stage (within main body), with specimen holder, with vernier calibrations, Cross travel: 76 (X) x 40 (Y) mm, Stage size: 150 (W) x 134 (D) x 16 (H) mm
Objectives (NA / W.D., mm) (anti-mold ^{*1})	<ul style="list-style-type: none"> • CFI BE Plan Achromat 4X (0.1 / 25) • CFI BE Plan Achromat 10X (0.25 / 6.7) • CFI BE Plan Achromat 20X (0.25 / 3.7) • CFI BE Plan Achromat 40X (0.65 / 0.6) • CFI BE Plan Achromat 60X (0.8 / 0.25) • CFI BE Plan Achromat 100X Oil (1.25 / 0.14) • CFI BE Plan Achromat DL10X (0.25 / 6.7) • CFI BE Plan Achromat DL40X (0.65 / 0.6) • CFI BE Plan Achromat DL100X Oil (1.25 / 0.14)
Condensers	• YS-CA Abbe Condenser N.A. 1.25, Aperture diaphragm with position guide marking for respective objectives, 33-mm Blue Filter attachable • YS100 Phase condenser (optional), 33-mm Blue Filter attachable
Observation methods ^{*2}	Brightfield, Darkfield, Phase contrast
Optional accessories	Phase contrast attachment, Object marker, Darkfield ring unit, Mirror unit, Cord hanger, Storage case
Power consumption (max.)	Normal value: 3 W (LED model), 33 W (halogen model)
Weight (approx.)	6 kg (Binocular standard set)

^{*1} Available only with models marketed outside EU member countries

^{*2} Observations except brightfield require optional accessories.



Specifications and equipment are subject to change without any notice or obligation on the part of the manufacturer. June 2017 ©2006-17 NIKON CORPORATION